

Descrizione

3-piston alternating volumetric pumps for use on cleaning units and industrial systems.

Can be coupled to various types of motors, directly or with flexible joint.

Pump body and cover in die-cast aluminium alloy.

Side cover may be blind or incorporate oil sight glass.

Rear cover with oil drain outlet.

Pistons driven by crank-connecting rod mechanism.

Pump shaft in pressed high-strength steel.

Oversized friction bearings.

Connecting rods in die-cast special low-friction aluminium alloy.

One-piece ceramic pistons.

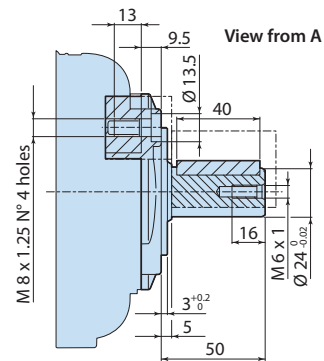
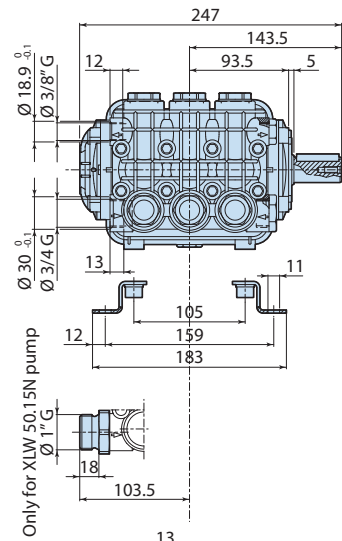
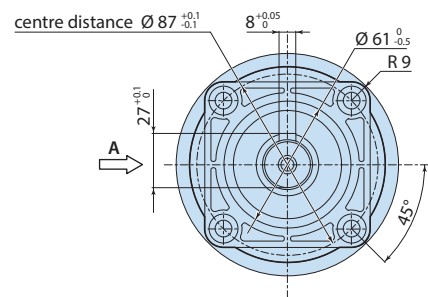
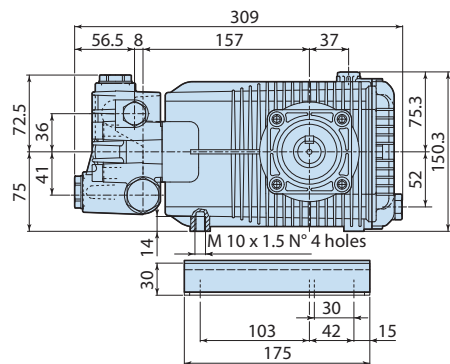
Pump head in nichel-plated brass.

Double gasket sealing system.

Intake and delivery valves have plugs for easier maintenance.



Details	Value
Category	Hot Water 85°C
Series	194 - WHW, WHWL
Pump type	WHW 26.15 N
Versioning	N
ARCode	22988
Output (lt/min)	26
Output (gpm)	6.87
Pressure (bar)	150
Pressure (psi)	2200
Power (hp)	10
Power (kw)	7.5
RPM	1450
Weight (kg)	16



1948501